

VN SERIES

MOTORIZED ON/OFF VALVE

PRODUCT SPECIFICATION SHEET



Application

Honeywell VN Series 2-position on/off valves are used in domestic and small commercial heating and cooling applications to control the flow of hot and/or cold water. They consist of an actuator and valve assembly. They can be used to control individual fan coil, radiator, space heater or convector applications. Depending on the model selected they can be controlled by a SPST or SPDT controller such as a room thermostat, aquastat or flow switch.

Note:

This series products are not fit for dissolved oxygen application.

Specifications

Actuator

Control Type: On/Off
 Voltage: 220Vac (±10%)
 Power Consumption: 6W Max. at nominal voltage(during valve position change only)
 Nominal Timing: Opens in 6 seconds @ 60Hz (20% longer @ 50Hz)
 Electrical termination: Integral 1000mm lead wire cable

Valve

Medium: Water or water-glycol mixture (max 50% glycol content)
 Min.& Max. Fluid Temperature: 1°C~95°C (34°F~203°F)
 Operating Ambient Temperature: 0°C~65°C (32°F ~150°F)
 Shipping & Storage Temperature: -40°C~65°C (-40°F~149°F)
 Pressure Rating: 16Bar
 Operating pressure differential: Max.3.5Bar
 Leakage rate: No visible leakage
 Materials:

Valve Body: Forged Brass

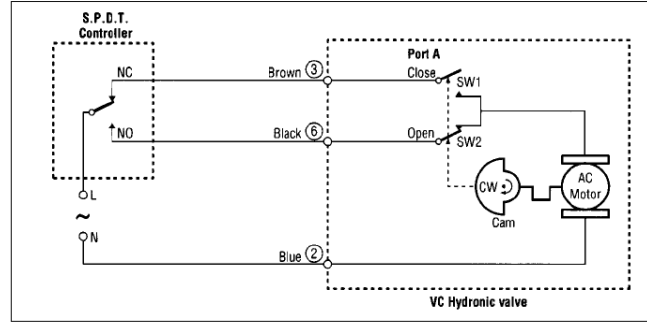
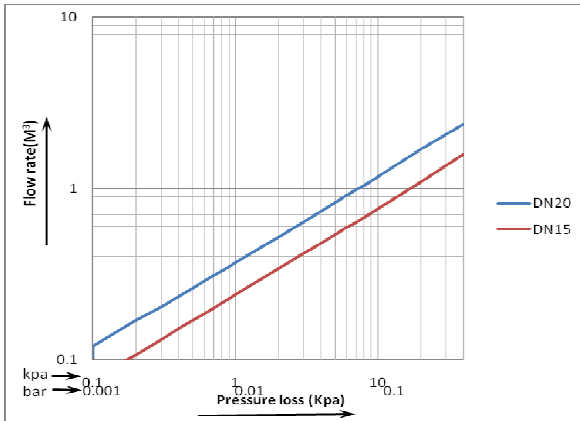
Stem: Stainless steel

O ring: EPDM/HNBR

ORDERING

OS#	2/3 Way	Size (in.)	Connection Type	Kv Value	Differential Pressure (psi)
VN4013AB1000T	2	1/2"	BSPT(int. thread)	2.4	50
VN4013AF1000T	2	1/2"	BSPP(int. thread)	2.4	50
VN4013AK1000T	2	3/4"	BSPT(int. thread)	3.7	50
VN4013AJ1000T	2	3/4"	BSPP(int. thread)	3.7	50
VN6013AB1000T	2	1/2"	BSPT(int. thread)	2.4	50
VN6013AF1000T	2	1/2"	BSPP(int. thread)	2.4	50
VN6013AK1000T	2	3/4"	BSPT(int. thread)	3.7	50
VN6013AJ1000T	2	3/4"	BSPP(int. thread)	3.7	50

PRESSURE LOSS CHARACTERISTIC



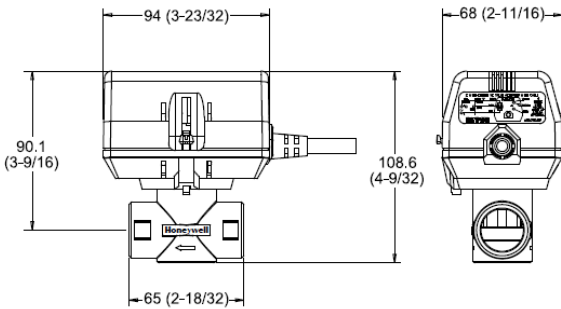
INSTALLATION

The valve should be installed with flow from A to B. The valve may be plumbed in any angle but preferable not with the actuator below the horizontal level of valve body. Make sure that there is enough room around the actuator for servicing or replacement. When used to form part of a central heating system, do not locate it where it will block the system vent, cold feed or any bypass when valve is closed. Mount the valve directly in the tube or pipe. Do not grip actuator while making and tightening u.p plumbing connections. Either hold valve body in your hand or attach adjustable spanner across the hexagonal or flat faces on the valve body

Note: For trouble free operation of the product, good installation practice includes initial system flushing and installation of 50 micron(or finer) system side filter(s).

Flow: Follow the direction of arrow to install, reversal installing may occur flow volume reducing or malfunction of actuator. Valve is opened when the stem is in the bottom, and is closed when the stem is in the up position. (Figure 1)

SIZE (MM)



WIRING

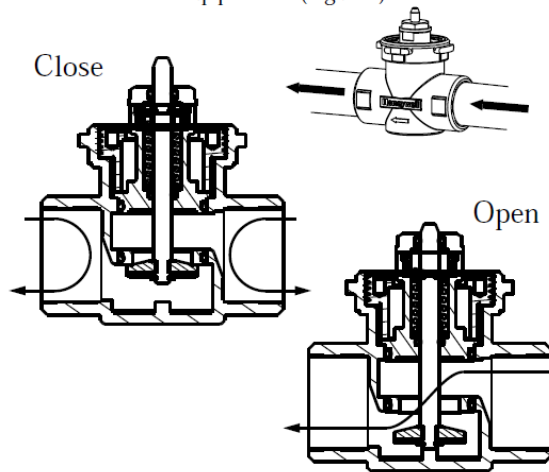
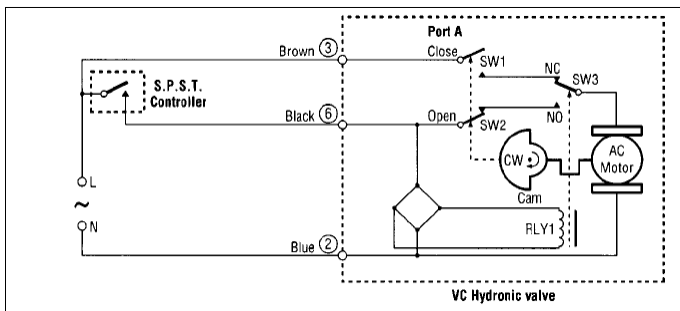


Figure 1: Fluid flow of 2-way VN series valve



Honeywell Environmental & Combustion Controls (Tianjin) Co., Ltd

No. 158, Nan Hai Road
 Tianjin Economic-Technological Development Area
 Tianjin, 300457, P.R.C.
 Phone: +86-22-6628 7000
 Fax: +86-22-2532 5214
 Subject to change without notice